



9W Single Output Switching Power Supply LED DRIVER

FUSCC-9 SERIES



Features :

- Constant current mode power supply
- Universal AC input/Full range
- Fully encapsulated with IP67 waterproof level
- Protections: Over current
- Small and compact size
- UL1310 Class 2 power unit, pass LPS
- 100% full load burn-in test
- Suitable for LED lighting and moving sign applications

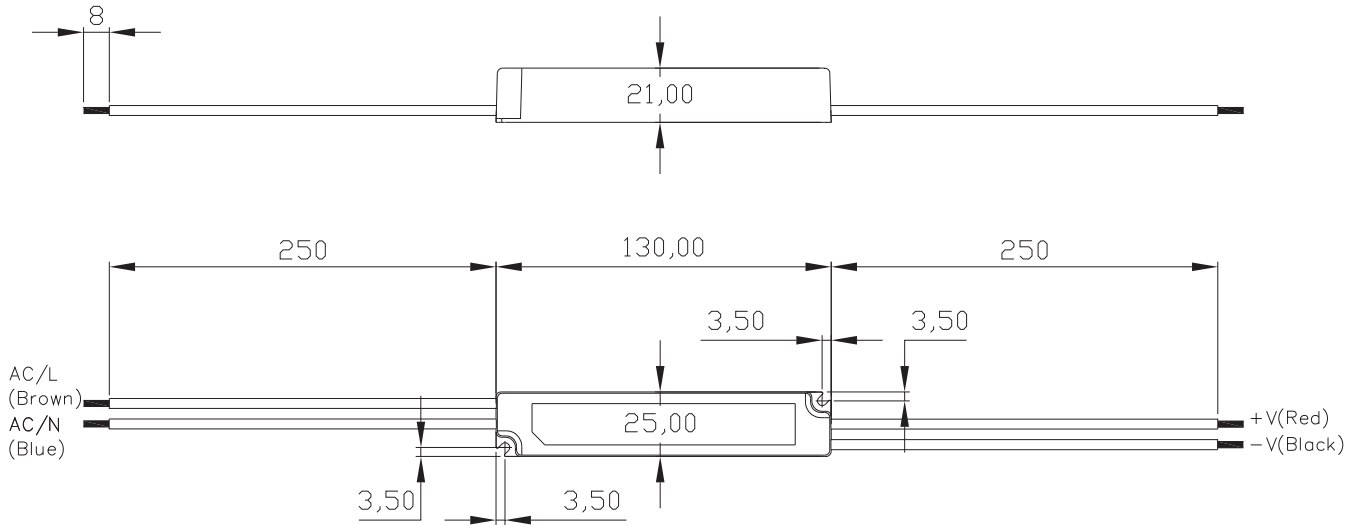
SPECIFICATION:

MODEL		FUSCC-9-350WP	FUSCC-9-700WP
OUTPUT	DC VOLTAGE	24V	12V
	DC VOLTAGE RANGE	3-24V (1-6 pcs / 1W LEDS)	2-12V (1-3 pcs / 3W LEDS)
	CURRENT RANGE	350mA ±3%	700mA ±3%
	RATED POWER	8.5W	8.5W
	RIPPLE & NOISE (max.)	200mVp-p	150mVp-p
	VOLTAGE TOLERANCE	±3.0%	
	LINE REGULATION	±1.0%	
	LOAD REGULATION	±2.0%	
	SETUP,RISE, HOLD UP TIME	500ms,250ms, 50ms/230VAC	
INPUT	VOLTAGE RANGE	100-240Vac	
	FREQUENCY RANGE	47 ~ 63Hz	
	EFFICIENCY (Typ.)	66 % full load at 100VAC 72 % full load at 240VAC	
	AC CURRENT	0.2A/100AC 0.1A/200AC	
	INRUSH CURRENT (max.)	COLD STAT 30A/230VAC	
	LEAKAGE CURRENT	0.35mA/240VAC	
PROTECTION	OVER CURRENT	Withstand Short circui output for 30 seconds	
ENVIRONMENT	WORKING TEMP.	-10 ~ 50°C	
	WORKING HUMIDITY	20 ~ 90% RH non-condensing	
	STORAGE TEMP., HUMIDITY	-40 ~ 80°C, 10 ~ 95% RH	
	TEMPCOEFFICIENT	±0.03%/°C (0 ~ 50°C)	
	VIBRATION	10 ~ 500Hz, 2G 10min./1cycle, period for 60min. each along X,Y, Z axes	
SAFETY & EMC	SAFETY STANDARDS	Design refer to UL1310 Class 2,TUV EN60950-1, EN61347-2-13, CAN/CSAC22.2 No. 223-M91, meet IP67	
	WITHSTAND VOLTAGE	I/P-O/P:3KVAC	
	ISOLATION RESISTANCE	I/P-O/P:>100M Ohms / 500VDC / 25 ~ 70% RH	
	EMI CONDUCTION&RADIATION	Compliance to EN55022 (CISPR22) Class B	
	HARMONIC CURRENT	Compliance to EN61000-3-2,-3	
EMS IMMUNITY	Compliance to EN61000-4-2,3,4,5,6,8,11; ENV50204, EN55024, light industry level, criteria A		
DIMENSION		130*25*21mm (L*W*H)	

9W Single Output Switching Power Supply LED DRIVER

FUSCC-9 SERIES

Mechanical Specification



Block Diagram

