



4.2W Single Output Switching Power Supply LED DRIVER

FUSCC-4 SERIES



Features :

- Constant current mode** power supply
- 100-240VAC input only 100-240VAC
- Fully encapsulated with IP67 waterproof level
- Protections: Over current/ Over Voltage
- Small and compact size
- UL1310 Class 2 power unit, pass LPS UL1310
- 100% full load burn-in test 100%
- Suitable for LED lighting and moving sign applications

SPECIFICATION:

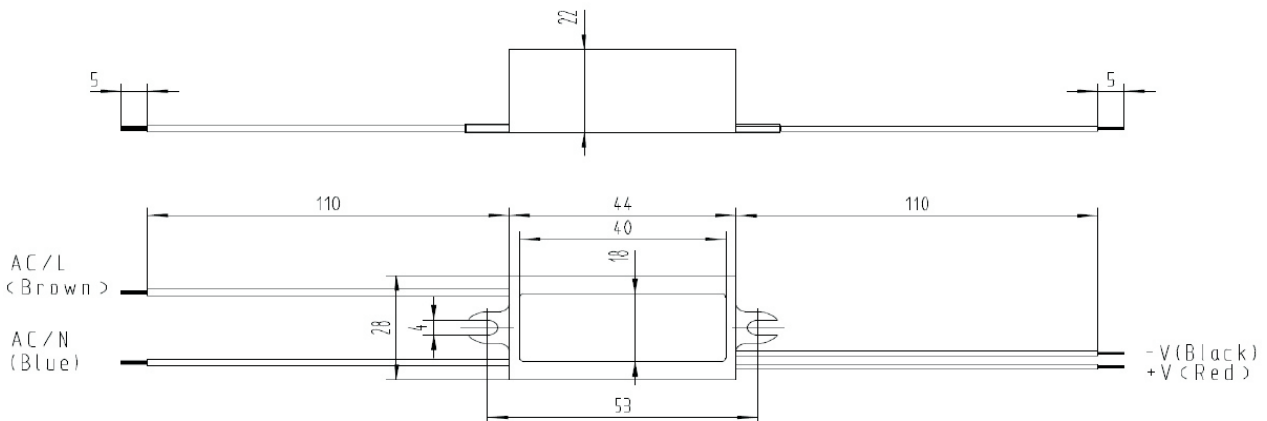
MODEL		FUSCV-4-350WP
OUTPUT	DC VOLTAGE	12V
	DC VOLTAGE RANGE	2-12V
	CURRENT RANGE	350mA ± 5%
	RATED POWER	4.2W
	RIPPLE & NOISE(max.)	150mVp-p
	VOLTAGE TOLERANCE	± 5.0%
	LINE REGULATION	± 1.0%
	LOAD REGULATION	± 2.0%
	SETUP, RISE, HOLD UP TIME	500ms,250ms, 50ms/230VAC
INPUT	VOLTAGE RANGE	90 -264Vac
	FREQUENCY RANGE	47 ~ 63Hz
	EFFICIENCY Typ.	63% full load
	AC CURRENT	0.15A/90VAC
	INRUSH CURRENT(max.)	COLD STAT 20A/240VAC
PROTECTION	OVER CURRENT	Withstand Short circui output for 30 seconds
		Protection type: Hiccup mode, recovers automatically after fault condition is removed.
	OVER VOLTAGE	13-18V Protection type: Hiccup mode
ENVIRONMENT	WORKING TEMP.	-10 ~ 50°C
	WORKING HUMIDITY	20 ~ 90% RH non-condensing
	STORAGE TEMP., HUMIDITY	-40 ~ 80°C, 10 ~ 95% RH

4.2W Single Output Switching Power Supply LED DRIVER

FUSCC-4 SERIES

	TEMP. COEFFICIENT	± 3%/°C (0 ~ 50°C)
	VIBRATION	10 ~ 500Hz, 2G 10min./1cycle, period for 60min. each along X,Y, Z axes
SAFETY & EMC	SAFETY STANDARDS	Design refer to UL1310 Class 2, TUVEN60950-1, EN61347-2-13, CAN/CSA C22.2 No. 223-M91, meet IP67
	WITHSTAND VOLTAGE	I/P-O/P:3K VAC
	ISOLATION RESISTANCE	I/P-O/P:>100M Ohms / 500VDC / 25 ~ 70% RH
	EMI CONDUCTION&RADIATION	Compliance to EN55022 (CISPR22) Class B
	HARMONIC CURRENT	Compliance to EN61000-3-2 -3
	EMS IMMUNITY	Compliance to EN61000-4-2,3,4,5,6,8,11; ENV50204, EN55024, light industry level, criteria A
DIMENSION		59*28*22mm (L*W*H)

Mechanical Specification



Block Diagram

