

Savant FS-3400AH Diesel Flow Sensor

SAVANT ELECTRONICS INC.

1670-3, Huanzhong road, Sec.1, Taichung 40761, Taiwan

Tel : 886 4 2425 5578 Fax : 886 4 2425 0396

Email : savantco@ms65.hinet.net

Website : www.homewaterfilter.com.tw

Features :

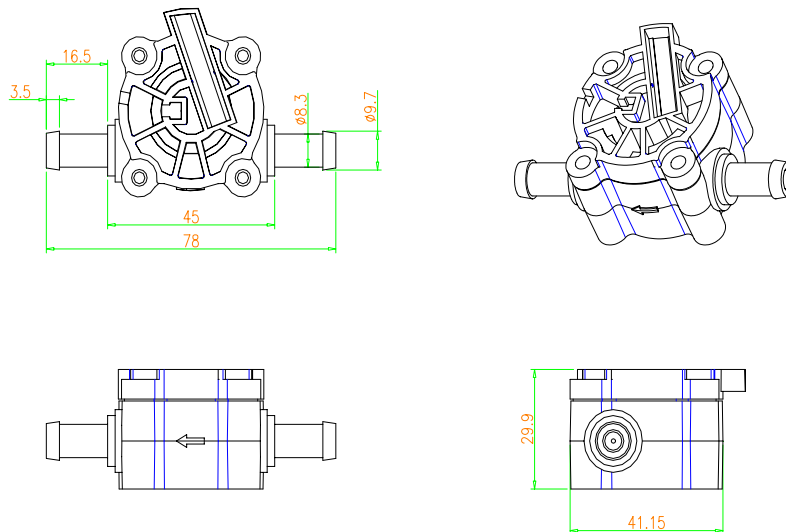
- Diesel and gas application
- 2.0 – 30 liter/hour flow rate
- Accurate and reliable



Application :

- ✓ Marine and automobile vehicle

1.0 Mechanism :



2.0 Electrical :

Supply voltage : 2.4 – 26 V DC

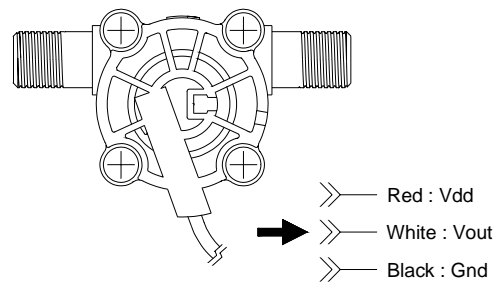
Supply current : typical 2.8 Amps, maximum 8.0 Amps.

Output mode :open collector

Output rise time : typical 1.0 μ second. maximum 10 μ second.

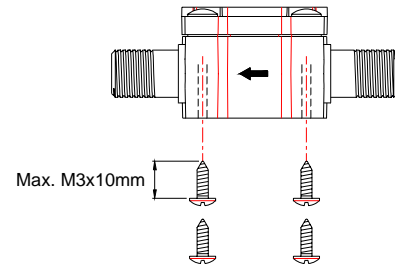
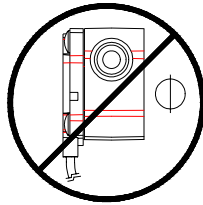
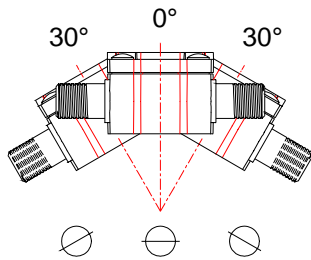
Output falling time : typical 0.3 μ second. maximum 1.5 μ second.

Wire connection :



3.0 Mounting method

Horizontal mounting, maximum 30 degree lifting.



4.0 Flow Rate : 2.0 – 30.0 liter/hour

5.0 Calibration :

Flow Rate(LPH)	Liter/Pulse
2.0	0.00038
4.0	0.00050
12.0	0.00050
30.0	0.00050

Accuracy : +/- 10%

6.0 General :

Connection : 3/8" barb

Temperature : 0 to 60

Pressure : Max. 6.0 bar (85 psi)

Materials : Sensor Body : Acetal Copolymer (POM), TICONA M90

Turbine : Acetal Copolymer (POM), TICONA M90

Stick of Turbine : #304 Stainless Steel

O-Ring : NBR