

Features :

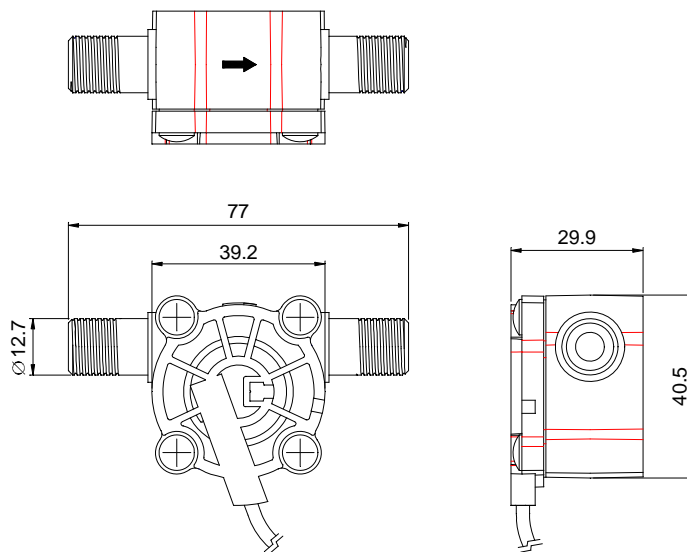
- Accurate and reliable
- Low cost
- Easy installation



Application :

- ✓ Residential and commercial water treatment system
- ✓ Water dispenser
- ✓ Water cooler

1.0 Mechanism :



2.0 Electrical :

Supply voltage : 2.4 – 26 V DC

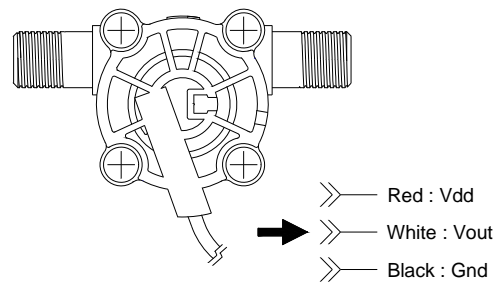
Supply current : typical 2.8 Amps, maximum 8.0 Amps.

Output mode : open collector

Output rise time : typical 1.0 μ second. maximum 10 μ second.

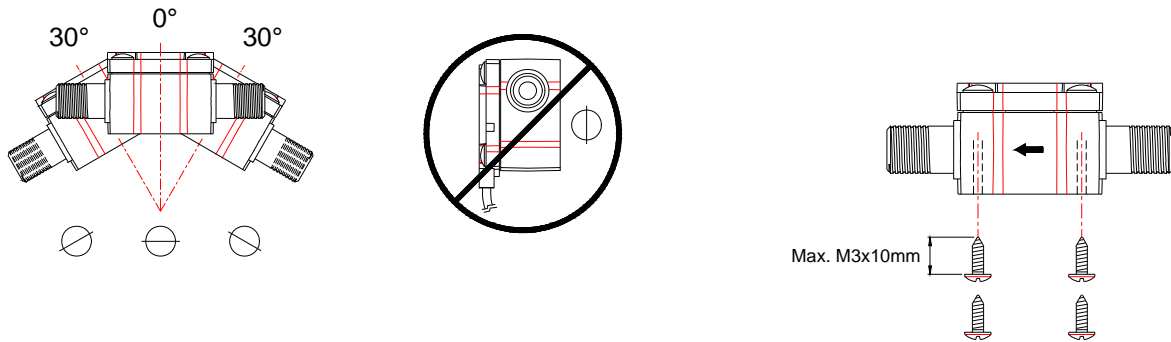
Output falling time : typical 0.3 μ second. maximum 1.5 μ second.

Wire connection :



3.0 Mounting method

Horizontal mounting, maximum 30 degree lifting.



4.0 Flow Rate : 0.8 – 8.0 liter/min. (0.21 – 2.11 gallon/min.)

5.0 Calibration :

Flow rate (liter/min.)	Liter per pulse (liter)
0.8 – 1.0	0.0039
1.0 – 2.5	0.0040
2.5 – 8.0	0.0041

Accuracy : +/- 10%

6.0 General :

Operating life : 500,000 liters

Connection : 1/4" NPT male

Temperature : 0 to 40°C

Pressure : Max. 6.0 bar (85 psi)

Materials : Sensor Body : Acetal Copolymer (POM), TICONA M90

Turbine : Acetal Copolymer (POM), TICONA M90

Stick of Turbine : #304 Stainless Steel

O-Ring : E.P.D.M.